

Item number: HPS.22.995.10000/B

Revision: 00 · Date: 01 - 2023

## Centerstand

 ~ 1 h.


EASY     DIFFICULT


**ENGLISH** · Thank you for choosing this premium product from SW-MOTECH. Visit our online shop for more information (e.g. model assignments). Required documents (e.g. general certification) are available there for you to download. **Please read and understand all the instructions, safety information and warnings in these mounting instructions before mounting and using the product in order to avoid injury and damage. Keep these mounting instructions for reference.**


This product was developed for vehicles in factory condition. Compatibility with original accessories or accessories from other manufacturers cannot be guaranteed.


These mounting instructions have been prepared to the best of our current knowledge. No legal claims relating to accuracy can be made. Errors and omissions excepted. We reserve the right to make technical and design changes. The copyright is held by SW-MOTECH.


### SAFETY WARNING SYMBOL

 This warning symbol is used in these mounting instructions to warn of deadly dangers, injuries or other hazards. The words **DANGER**, **WARNING** or **CAUTION** are used as part of this warning symbol to convey important safety messages and information relating to the installation and use of this product. These words, together with the safety warning symbol, mean:


 **DANGER:** Indicates a hazardous situation which, if not avoided, will result in death or serious injury!


 **WARNING:** Indicates a hazardous situation which, if not avoided, may result in death or serious injury!

 **CAUTION:** Indicates a hazardous situation which, if not avoided, may result in minor or moderate injury!


 **NOTE:** Important information, but not relating to a risk of death or injury (property damage only)!

### GENERAL INFORMATION


 **WARNING:** Assembly and/or maintenance of this product requires advanced technical skills, appropriate tools and a good understanding of tool usage and torque specifications. For your own safety, SW-MOTECH recommends that assembly and/or maintenance is carried out by a qualified and certified two-wheeler workshop.


 **WARNING:** If you decide to install this product yourself, read the installation instructions carefully and fully before installation and use, and follow all instructions to avoid serious or fatal injuries. Also observe all relevant information in the vehicle manual when mounting and using the product. **IF YOU DO NOT UNDERSTAND ANY PART OF THESE MOUNTING INSTRUCTIONS OR REQUIRE EXPLANATION OF ANY INSTRUCTION, DO NOT ATTEMPT TO INSTALL THIS PRODUCT WITHOUT ASKING SW-MOTECH FOR HELP!**

**PREPARATION:** Read the mounting instructions carefully and make sure that all parts on the parts list are available.


 **CAUTION:** Ensure that your vehicle is standing securely. Switch off the engine and remove the ignition key. Allow the engine/exhaust to cool down, if necessary. Disconnect the battery when working on the electrics. Only use suitable tools, and always wear protective goggles and gloves during assembly and maintenance. Have a second person help you during assembly and maintenance.

**ASSEMBLY:** All parts and connections removed from the vehicle must be reinstalled according to the vehicle manufacturer's specifications or replaced with parts and hardware supplied by SW-MOTECH.

 **WARNING:** Secure all threads with a medium-strength liquid threadlocker, unless otherwise specified.

 **DANGER:** Tightening torques not defined by SW-MOTECH must be obtained from the vehicle manufacturer or a certified motorbike workshop.

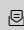

**FUNCTIONALITY CHECK:** After assembly, make sure that no moving parts are obstructed and that the function of the vehicle is not impeded. Cables and hoses must not be chafed and/or pinched.

 **WARNING:** Carry out a comprehensive functionality check before you start to drive. Check the tightening torque of all connections and the tight fit of the product after the first 50 km and then at regular intervals. Mounted accessories can change the handling and stability of the vehicle.



SW-MOTECH GmbH & Co. KG  
Ernteweg 7-10  
35282 Rauschenberg  
Germany



 [info@sw-motech.com](mailto:info@sw-motech.com)  
 [www.sw-motech.com](http://www.sw-motech.com)



Take note of the symbols and what they mean in the ASSEMBLY section. If the term OEM appears in the ASSEMBLY section, the vehicle manufacturer's specifications must be observed and applied.



If you have any questions, please don't hesitate to contact our Customer Service team or our distributors. You can find our telephone number and a list of our distributors in our online shop:

[www.sw-motech.com](http://www.sw-motech.com)



**Use thread locker:** Indicates that a thread must be coated with liquid thread locker. H (HIGH): high strength; M (MEDIUM): medium strength; L (LOW): low strength.









**Tighten/note the tightening torque information:**





Indicates the tightening torque of a part specified by SW-MOTECH or the vehicle manufacturer (OEM).










**Rolling bearing grease:** Apply the appropriate rolling bearing grease to the area shown.

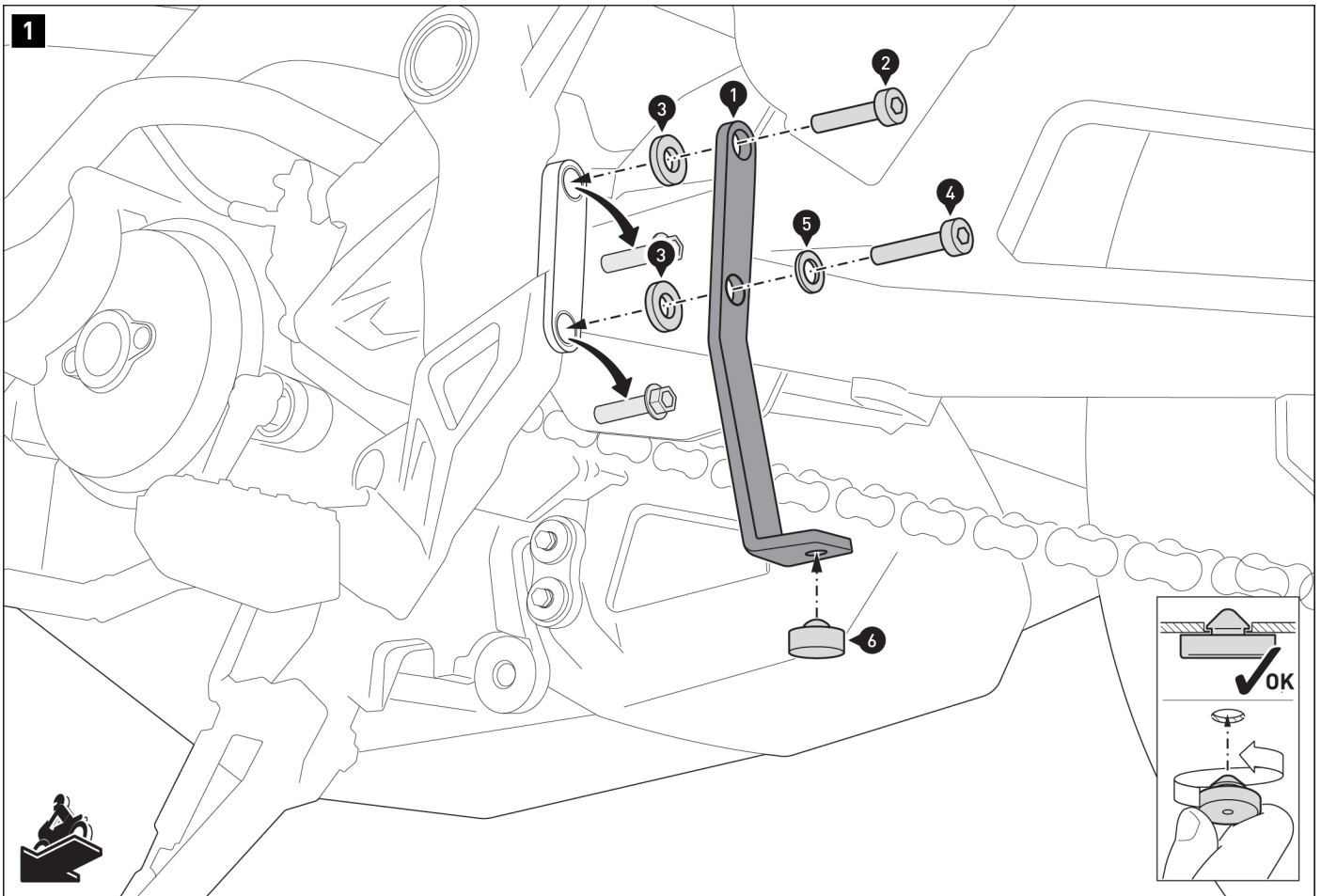
**PARTS LIST - READ AND KEEP MOUNTING INSTRUCTIONS!**

<b>1</b>	<b>1</b> 	<b>2</b> 	<b>3</b> 	<b>4</b> 	<b>5</b> 	<b>6</b> 
	HPS.22.995.003.11 1/1	M10 x 35; DIN 6912 SC.ST.10.035.01.6912.088 1/1	Ø 20 / Ø 10.5 / h 3 DB.00.200.105.003.01 2/2	M10 x 40; DIN 6912 SC.ST.10.040.01.6912.088 1/1	Ø 10; DIN 125 US.ST.105.01.125 1/1	HPS.00.003.018 1/1

<b>2</b>	<b>7</b> 	<b>8</b> 	<b>9</b> 	<b>10</b> 
	HPS.22.995.900.01.11 1/1	M12 x 30; DIN 912 SC.ST.12.030.01.912.088 1/1	Ø 13; DIN 125 US.ST.130.01.125 1/2	HPS.06.390.004.00 2/2

<b>3</b>	<b>11</b> 	<b>12</b> 	<b>13</b> 	<b>14</b> 	<b>15</b> 	<b>16</b> 
	M12 x 50; DIN 912 SC.ST.12.050.01.912.088 1/1	Ø 13; DIN 125 US.ST.130.01.125 1/2	Ø 25 / Ø 12.5 / h 5.5 DB.ST.250.125.0055.01 1/1	M12; DIN 6927 MU.ST.12.01.6927.08 1/1	M6 x 25; DIN 912 SC.ST.06.025.01.912.088 1/1	M6; DIN 934 MU.ST.06.01.934.08 1/1

<b>4</b>	<b>17</b> 	<b>18</b> 	<b>19</b> 	<b>20</b> 	<b>21</b> 	<b>22</b> 
	HPS.22.995.004.11 1/1	HPS.00.100.002.48 1/1	ZFD.00.150.008/ST 1/1	M6 x 35; DIN 933 SC.ST.06.035.01.933.088 1/1	Ø 14 / Ø 6.2 / h 5 DB.ST.0140.0062.0050.02 1/1	Ø 6.4; DIN 125 US.ST.064.01.125 1/1



**▲ WARNING: Always wear eye and hand protection!**

**▲ WARNING: Always use the proper tools!**

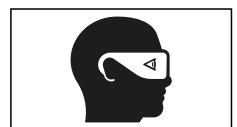
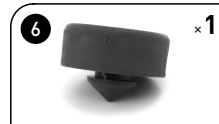
Remove the screws shown from the left-hand side of the vehicle.

Screw the stop plate (1) to the vehicle.

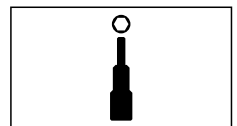
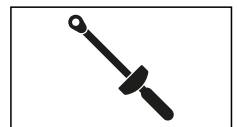
**▲ WARNING: Use a liquid threadlocker!**

Tighten the screws according to the manufacturer's instructions.

Insert the rubber damper (6) into the indicated opening on the stop plate (1).

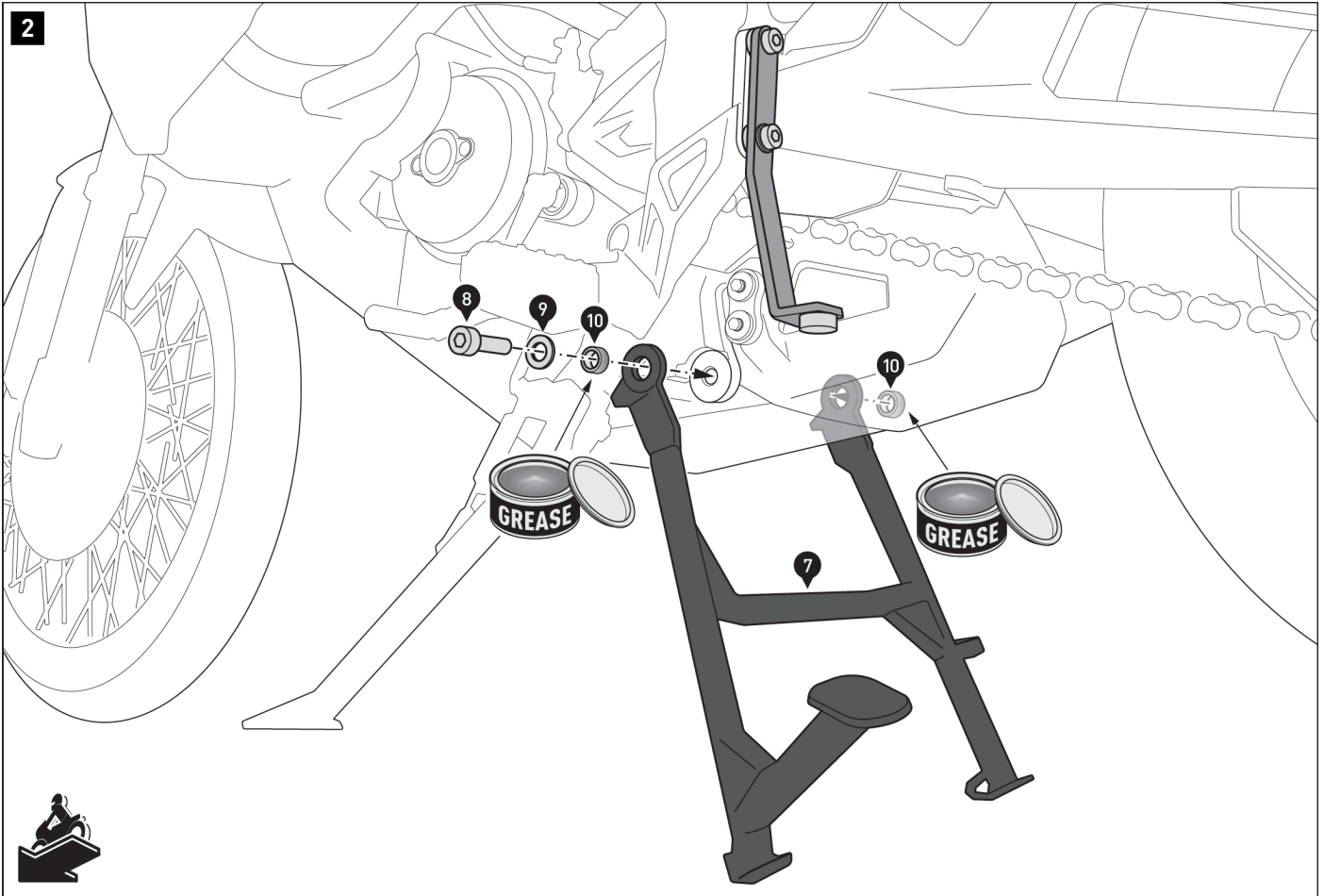


M ~~OEM~~



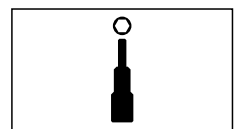
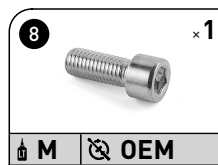
M ~~OEM~~

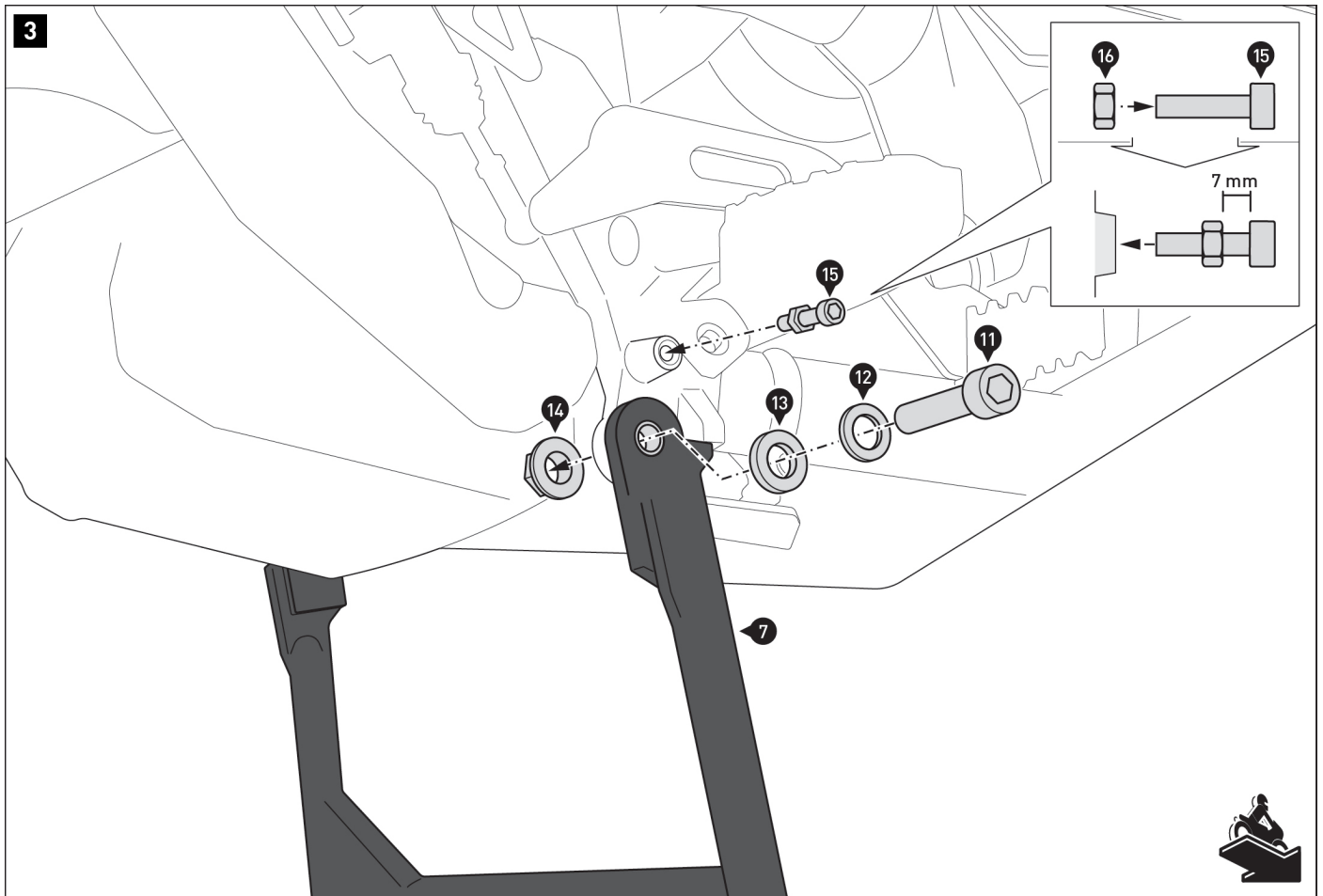




Coat the outside of the bearing bushings (10) with grease.  
Then insert the bearing bushings (10) into the openings on the centerstand (7).

Screw the centerstand (7) onto the left-hand side of the vehicle.  
**▲ WARNING: Use a liquid threadlocker!**  
Do not tighten the screw yet.
















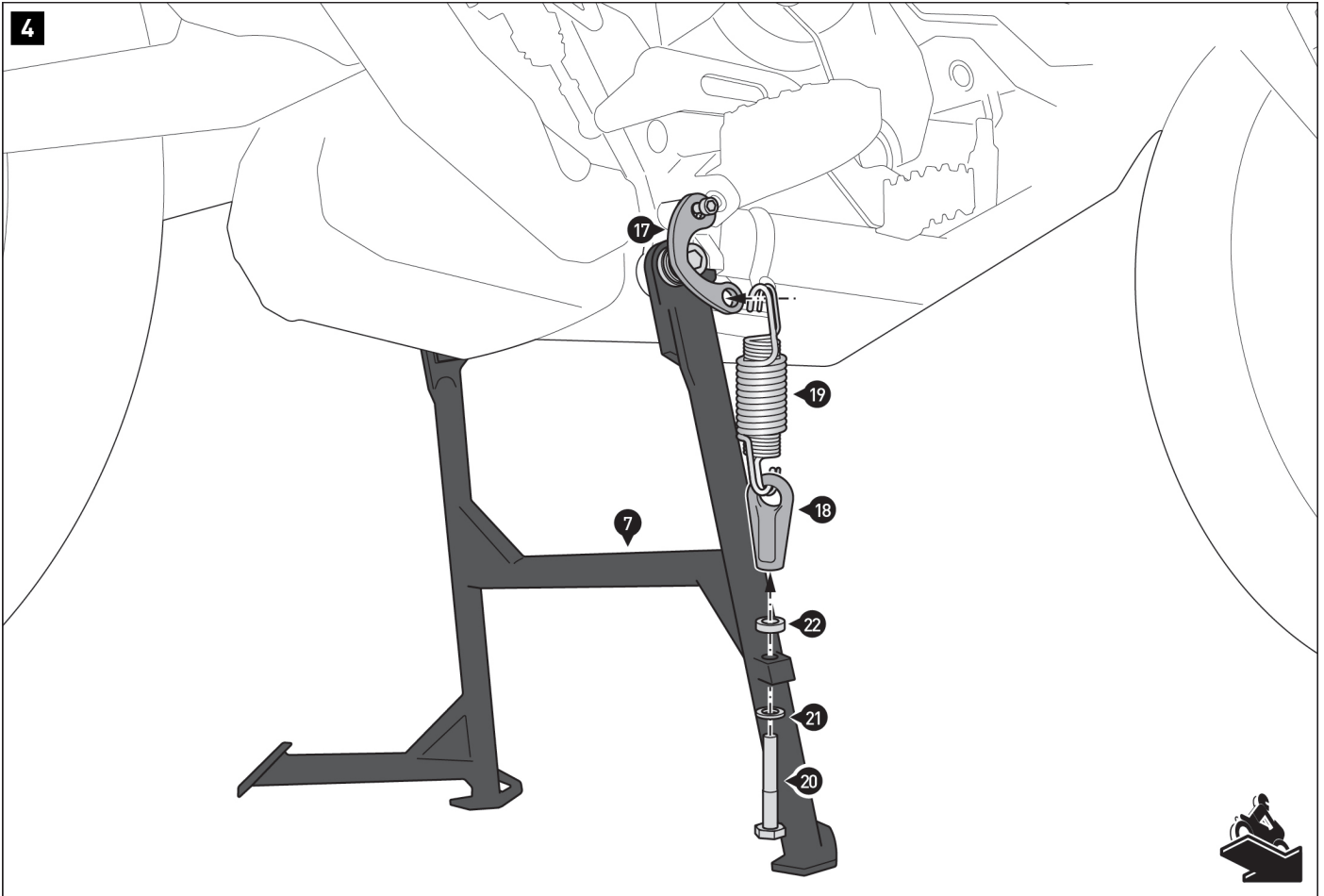


Screw the centerstand (7) onto the right-hand side of the vehicle. Now tighten the screws (8) and (11) according to the manufacturer's instructions.

Screw the nut (16) to around two thirds of the screw (15) as shown in the detailed drawing and screw it onto the vehicle.

**▲ WARNING: Use liquid threadlocker!**  
Tighten the screw (15) as specified in the instructions. Now lock the nut (16).

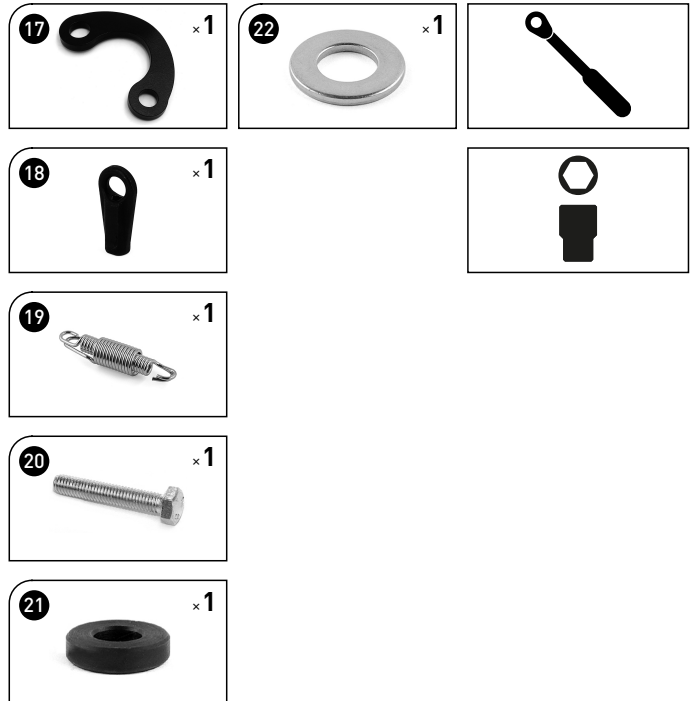
 <p>11 × 1</p> <p> OEM</p>	 <p>16 × 1</p>	
 <p>12 × 1</p>		
 <p>13 × 1</p>		
 <p>14 × 1</p>		
 <p>15 × 1</p> <p>M  9 Nm</p>		



Hang the spring link plate (17) on the screw (15).

Fold up the centerstand (7) and hold it in position with a suitable jack.  
Hang the tension spring set (19) on the spring link plate (17).

Now tension the tension spring set (19) by tightening the screw (20).  
**▲ WARNING: Finally, carry out a comprehensive functional check on the centerstand!**



PRODUCT-SPECIFIC NOTES

**▲ WARNING: The centerstand may inhibit cornering and ground clearance in cases of extreme inclination!**

**▲ NOTE: Observe the country-specific regulations for registering/operating your vehicle or applicable TÜV regulations. After assembly, have parts that are subject to registration entered in the vehicle documents by your test centre.**

If a national type approval is issued for this product: the national type approval issued with the product must always be carried with you! This national type approval only applies to the models listed and must comply with all requirements! For use with a vehicle not listed here, the entry must be made in the vehicle documents! The vehicle assignments in the national type approval document are expanded annually. As a result, the national type approval for a new product may only take place a few months after the market launch. If your model is not listed or if you no longer have the national type approval document, please visit the Download section of our web shop. The current version of the national type approval document will be available there.