

ANBAUANLEITUNG

mounting instructions • instructions de montage • instrucciones de montaje • istruzioni di montaggio

BC.HTA.18.682.21300

beinhaltet • contains • contient • contiene • contiene

HTA.18.019.10000

HTA.00.682.15000


BC.HTA.00.682.11100

BC.LOC.00.682.10000/S

Item number: HTA.18.019.10000

Revision: 00 · Date: 01 - 2023

SLC side carrier left

 ~ 0.5 h.

EASY      DIFFICULT

ENGLISH Thank you for choosing this premium product from SW-MOTECH. Visit our online shop for more information (e.g. model assignments). Required documents (e.g. national type approval) are available there for you to download.

Please read and understand all the instructions, safety information and warnings in these mounting instructions before mounting and using the product in order to avoid injury and damage. Keep these mounting instructions for reference.

This product was developed for vehicles in factory condition. Compatibility with original accessories or accessories from other manufacturers cannot be guaranteed.

These mounting instructions have been prepared to the best of our current knowledge. No legal claims relating to accuracy can be made. Errors and omissions excepted. We reserve the right to make technical and design changes. The copyright is held by SW-MOTECH.

SAFETY WARNING SYMBOL

 This warning symbol is used in these mounting instructions to warn of deadly dangers, injuries or other hazards. The words **DANGER**, **WARNING** or **CAUTION** are used as part of this warning symbol to convey important safety messages and information relating to the installation and use of this product. These words, together with the safety warning symbol, mean:

 **DANGER:** Indicates a hazardous situation which, if not avoided, will result in death or serious injury!

 **WARNING:** Indicates a hazardous situation which, if not avoided, may result in death or serious injury!

 **CAUTION:** Indicates a hazardous situation which, if not avoided, may result in minor or moderate injury!

 **NOTE:** Important information, but not relating to a risk of death or injury (property damage only)!

GENERAL INFORMATION

 **WARNING:** Assembly and/or maintenance of this product requires advanced technical skill, appropriate tools, and a good understanding of tool usage and torque specifications. For your own safety, SW-MOTECH recommends having the assembly and/or maintenance carried out by a qualified and certified motorcycle workshop.

 **WARNING:** If you do choose to assemble this product yourself, carefully and fully read the mounting instructions before assembly and use, and follow all instructions to avoid serious injury or death. Also observe all relevant information in the vehicle manual when mounting or using the product. IF YOU DO NOT UNDERSTAND ANY PART OF THESE MOUNTING INSTRUCTIONS OR NEED AN EXPLANATION AS TO A SPECIFIC INSTRUCTION, DO NOT ATTEMPT TO INSTALL THIS PRODUCT WITHOUT CONSULTING SW-MOTECH FOR ASSISTANCE!

PREPARATION: Read the mounting instructions carefully and make sure that all parts on the parts list are available.

 **CAUTION:** Ensure that your vehicle is standing securely. Switch off the engine and remove the ignition key. Allow the engine/exhaust to cool down if necessary. Disconnect the battery when working on the electrical system. Only use proper tools and always wear safety goggles and gloves during assembly and maintenance. Have a second person help you with assembly and maintenance.

ASSEMBLY: All parts and connections removed from the vehicle must be reinstalled according to the vehicle manufacturer's specifications or replaced with parts and hardware supplied by SW-MOTECH.

 **WARNING:** Secure all threads with a medium-strength liquid threadlocker, unless otherwise specified.

 **DANGER:** Tightening torques not defined by SW-MOTECH must be obtained from the vehicle manufacturer or a certified motorbike workshop.

FUNCTIONAL CHECK: After mounting the product, ensure that no moving parts are obstructed and that the function of the vehicle is not impeded. Cables and hoses must not rub against each other and/or be hindered in any way.

 **WARNING:** Carry out a comprehensive functionality check before you start to drive. Check the tightening torque of all connections and the tight fit of the product after the first 50 km and then at regular intervals. Mounted accessories can change the handling and stability of the vehicle.



SW-MOTECH GmbH & Co. KG
Ernteweg 7-10
35282 Rauschenberg
Germany



 info@sw-motech.com
 www.sw-motech.com



Take note of the symbols and what they mean in the ASSEMBLY section. If the term OEM appears in the ASSEMBLY section, the vehicle manufacturer's specifications must be observed and applied.



If you have any questions, please don't hesitate to contact our Customer Service team or our distributors. You can find our telephone number and a list of our distributors in our online shop:

www.sw-motech.com



Use thread locker: Indicates that a thread must be coated with liquid thread locker. H (HIGH): high strength; M (MEDIUM): medium strength; L (LOW): low strength.



Tighten/note the tightening torque information:

Indicates the tightening torque of a part specified by SW-MOTECH or the vehicle manufacturer (OEM).

PARTS LIST - READ AND KEEP MOUNTING INSTRUCTIONS!

1

1



HTA.18.019.901.01.11

 **1/1**

2



HTA.00.152.080.35

 **3/3**

3



HTA.00.152.081.00

 **1/1**

4



M6 x 20; DIN 6912
SC.ST.06.020.01.6912.088

 **1/1**

5



M6 x 20; DIN 7991
SC.ST.06.020.48.7991.109

 **2/2**

3

6



M8 x 25; DIN 912
SC.ST.08.025.02.912F.129

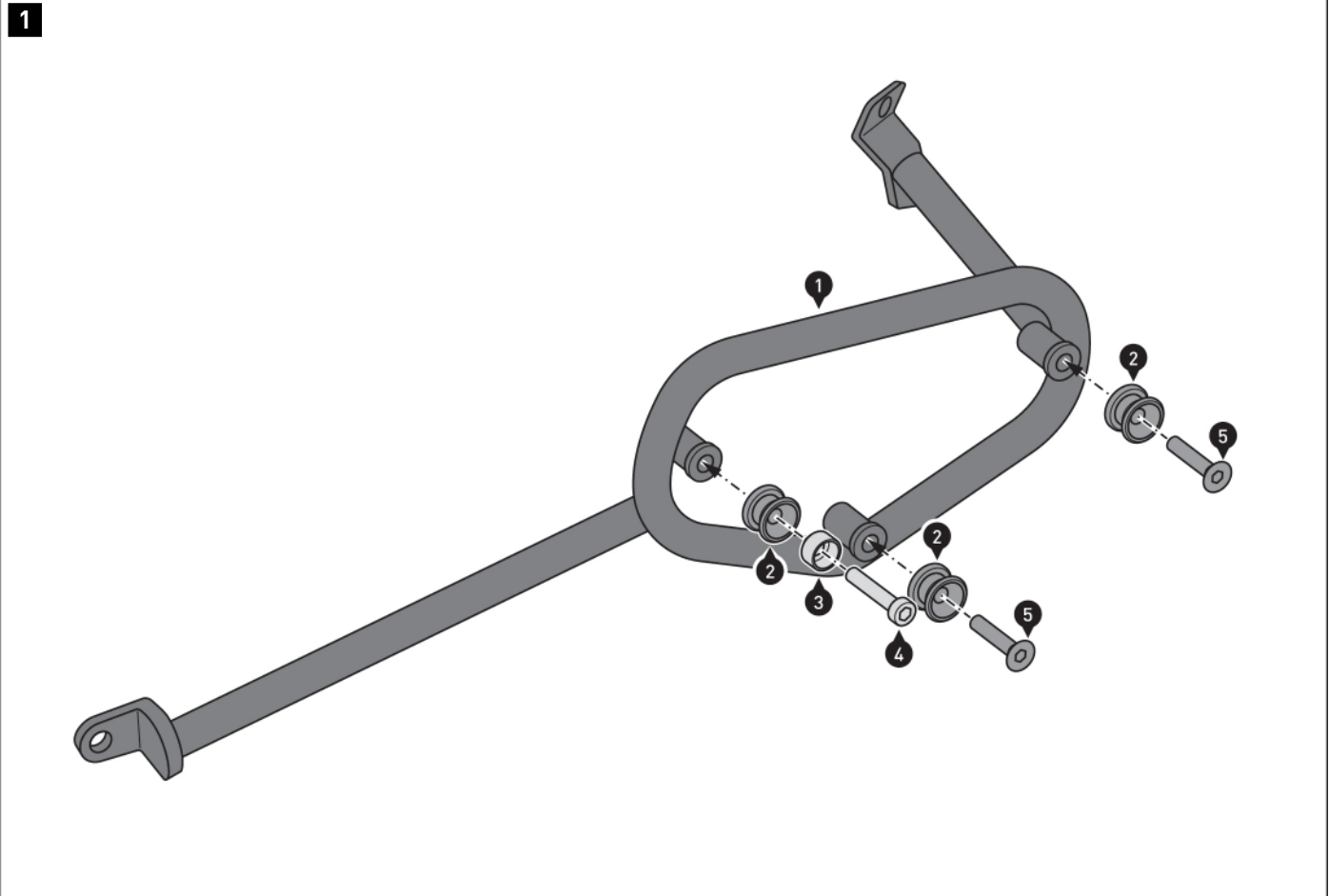
 **2/2**

7



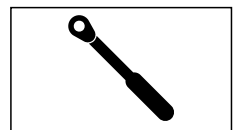
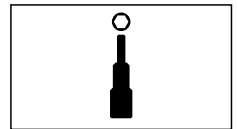
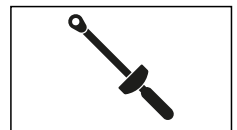
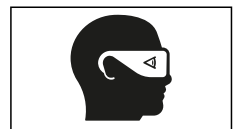
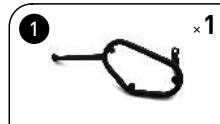
ø 8,4; DIN 125
US.ST.084.02.125

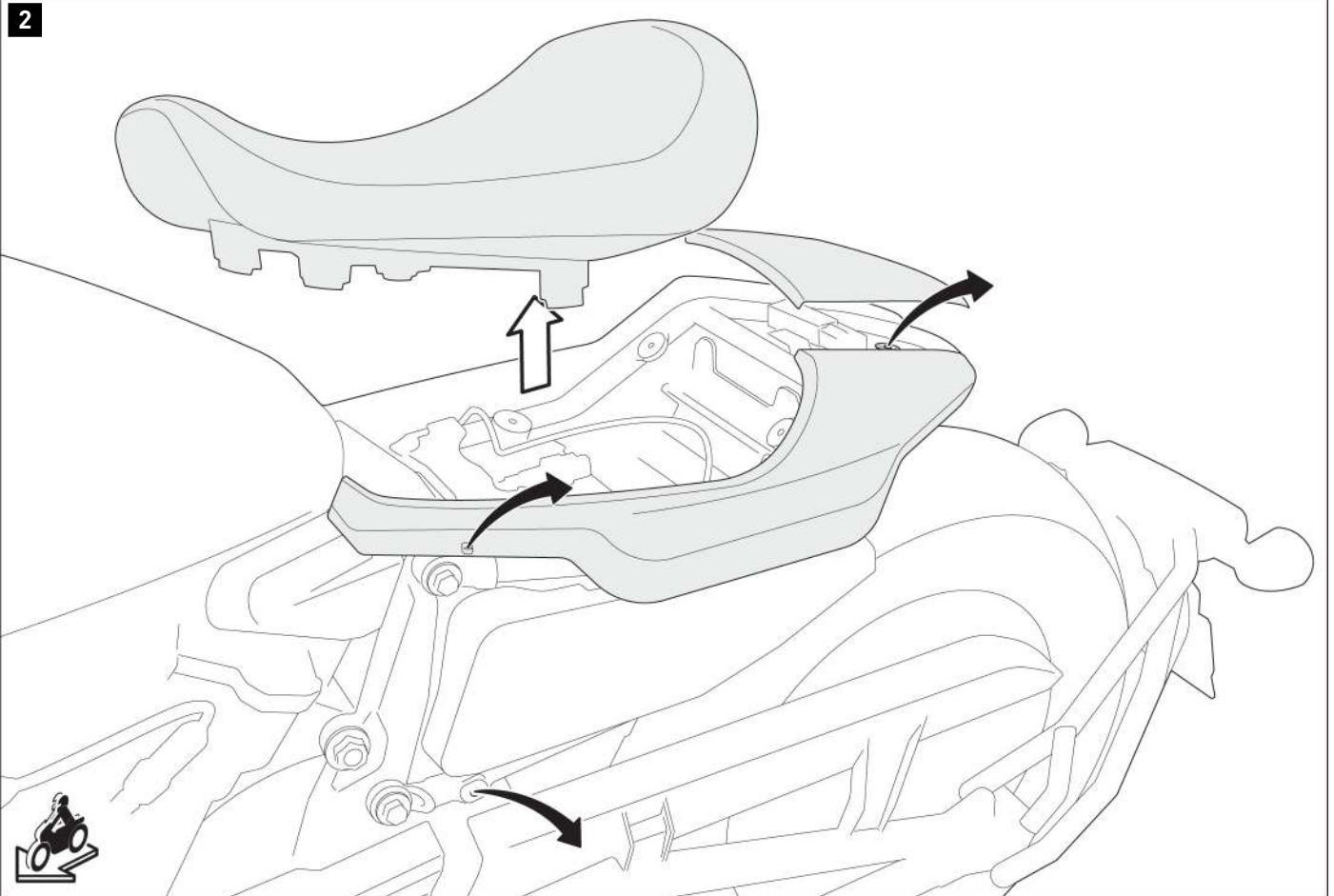
 **2/2**



⚠WARNING: Always wear eye and hand protection!
⚠WARNING: Always use appropriate tools!

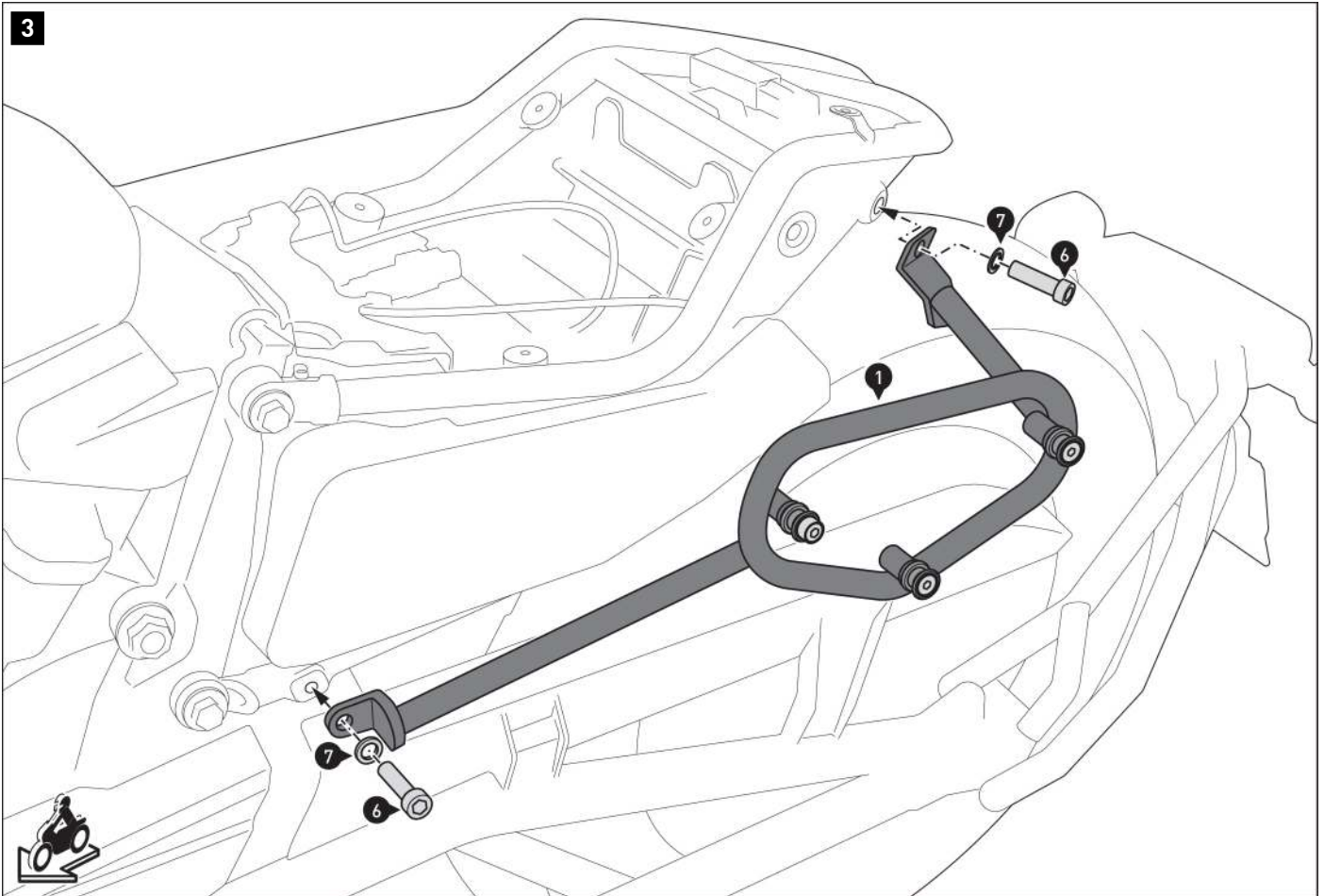
Screw the parts [2] to [5] to the side carrier [1].
⚠WARNING: Use a liquid threadlocker!
 Tighten the screws as specified.





Remove the seat.

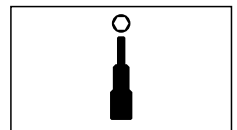
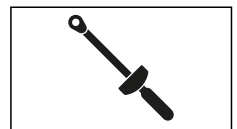
Loosen the screws from the attachment points indicated and remove the two trim pieces from the vehicle.

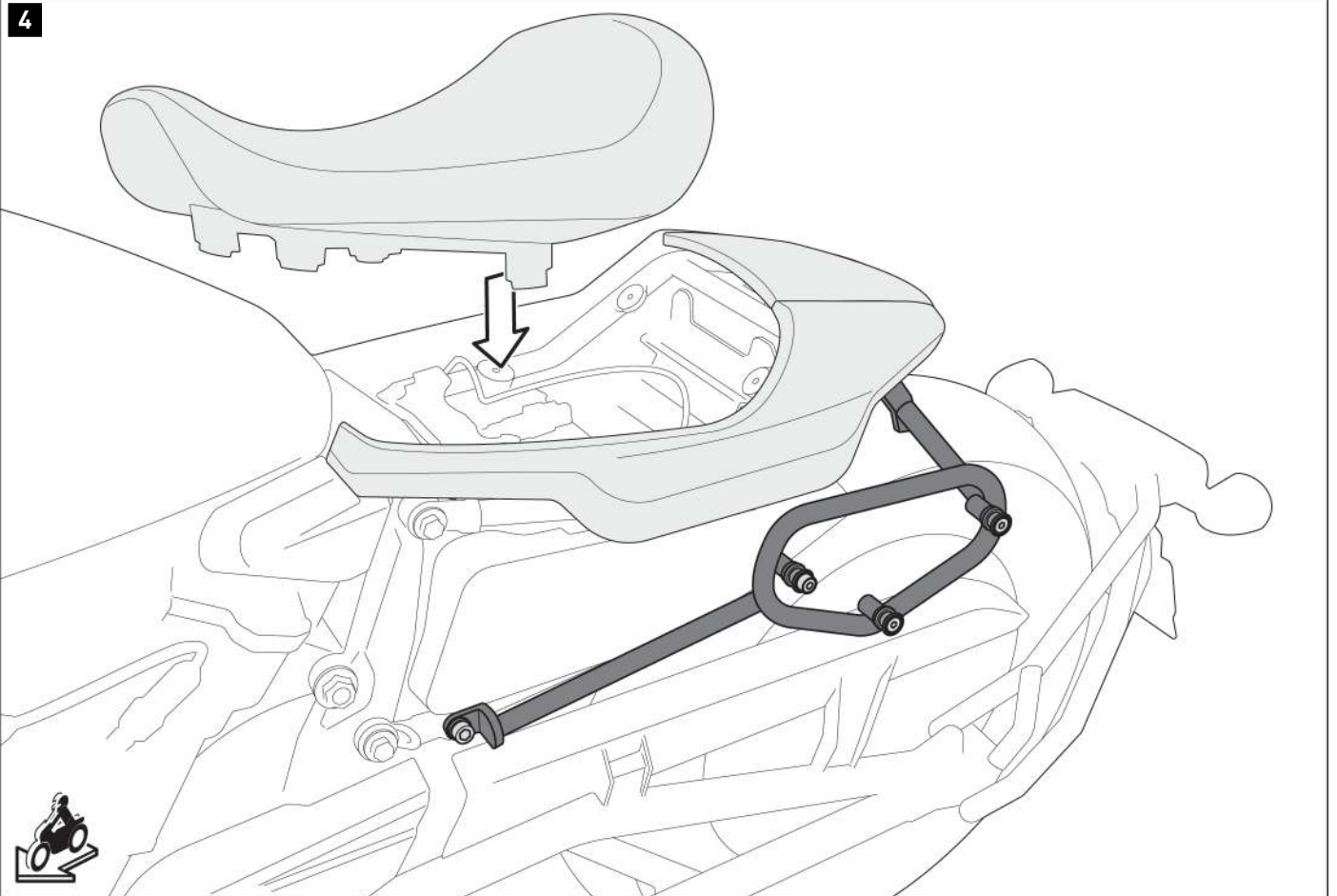


Screw the side carrier (1) to the rear of the vehicle.

▲WARNING: Use a liquid threadlocker!

Tighten the screws according to the manufacturer's instructions.





Finally, reattach the trim pieces as well as the seat.

PRODUCT-SPECIFIC NOTES

⚠ NOTE: *Observe the country-specific regulations for the registration/operation of your vehicle or applicable TÜV regulations. After assembly, have parts that are subject to registration entered in the vehicle documents by your test centre.*

Item number: HTA.00.682.15000

Revision: 01 · Date: 02 - 2023

Adapter plate SLH for SLC

 ~ 0.5 h.EASY      DIFFICULT

ENGLISH Thank you for choosing this premium product from SW-MOTECH. Visit our online shop for more information (e.g. model assignments). Required documents (e.g. national type approval) are available there for you to download.

Please read and understand all the instructions, safety information and warnings in these mounting instructions before mounting and using the product in order to avoid injury and damage. Keep these mounting instructions for reference.

This product was developed for vehicles in factory condition. Compatibility with original accessories or accessories from other manufacturers cannot be guaranteed.

These mounting instructions have been prepared to the best of our current knowledge. No legal claims relating to accuracy can be made. Errors and omissions excepted. We reserve the right to make technical and design changes. The copyright is held by SW-MOTECH.

SAFETY WARNING SYMBOL

 This warning symbol is used in these mounting instructions to warn of deadly dangers, injuries or other hazards. The words DANGER, WARNING or CAUTION are used as part of this warning symbol to convey important safety messages and information relating to the installation and use of this product. These words, together with the safety warning symbol, mean:

 **DANGER:** Indicates a hazardous situation which, if not avoided, will result in death or serious injury!

 **WARNING:** Indicates a hazardous situation which, if not avoided, may result in death or serious injury!

 **CAUTION:** Indicates a hazardous situation which, if not avoided, may result in minor or moderate injury!

 **NOTE:** Important information, but not relating to a risk of death or injury (property damage only)!

GENERAL INFORMATION

 **WARNING:** Assembly and/or maintenance of this product requires advanced technical skill, appropriate tools, and a good understanding of tool usage and torque specifications. For your own safety, SW-MOTECH recommends having the assembly and/or maintenance carried out by a qualified and certified motorcycle workshop.

 **WARNING:** If you do choose to assemble this product yourself, carefully and fully read the mounting instructions before assembly and use, and follow all instructions to avoid serious injury or death. Also observe all relevant information in the vehicle manual when mounting or using the product. IF YOU DO NOT UNDERSTAND ANY PART OF THESE MOUNTING INSTRUCTIONS OR NEED AN EXPLANATION AS TO A SPECIFIC INSTRUCTION, DO NOT ATTEMPT TO INSTALL THIS PRODUCT WITHOUT CONSULTING SW-MOTECH FOR ASSISTANCE!

PREPARATION: Read the mounting instructions carefully and make sure that all parts on the parts list are available.

 **CAUTION:** Ensure that your vehicle is standing securely. Switch off the engine and remove the ignition key. Allow the engine/exhaust to cool down if necessary. Disconnect the battery when working on the electrical system. Only use proper tools and always wear safety goggles and gloves during assembly and maintenance. Have a second person help you with assembly and maintenance.

ASSEMBLY: All parts and connections removed from the vehicle must be reinstalled according to the vehicle manufacturer's specifications or replaced with parts and hardware supplied by SW-MOTECH.

 **WARNING:** Secure all threads with a medium-strength liquid threadlocker, unless otherwise specified.

 **DANGER:** Tightening torques not defined by SW-MOTECH must be obtained from the vehicle manufacturer or a certified motorbike workshop.

FUNCTIONAL CHECK: After mounting the product, ensure that no moving parts are obstructed and that the function of the vehicle is not impeded. Cables and hoses must not rub against each other and/or be hindered in any way.

 **WARNING:** Carry out a comprehensive functionality check before you start to drive. Check the tightening torque of all connections and the tight fit of the product after the first 50 km and then at regular intervals. Mounted accessories can change the handling and stability of the vehicle.



SW-MOTECH GmbH & Co. KG
Ernteweg 7-10
35282 Rauschenberg
Germany



 info@sw-motech.com
 www.sw-motech.com

LEGEND OVERVIEW - READ AND KEEP MOUNTING INSTRUCTIONS!



Take note of the symbols and what they mean in the ASSEMBLY section. If the term OEM appears in the ASSEMBLY section, the vehicle manufacturer's specifications must be observed and applied.



If you have any questions, please don't hesitate to contact our Customer Service team or our distributors. You can find our telephone number and a list of our distributors in our online shop:

www.sw-motech.com



Use thread locker: Indicates that a thread must be coated with liquid thread locker. H (HIGH): high strength; M (MEDIUM): medium strength; L (LOW): low strength.



Tighten/note the tightening torque information:

Indicates the tightening torque of a part specified by SW-MOTECH or the vehicle manufacturer (OEM).

PARTS LIST - READ AND KEEP MOUNTING INSTRUCTIONS!

1

1



HTA.00.682.010L.03

 1/1

2



HTA.18.682.017.02

 1/1

3



M6 x 20; DIN 7991
SC.ST.06.020.02.7991.088

 1/4

4



KES.RD.210.0300.02.GL

 1/1

2

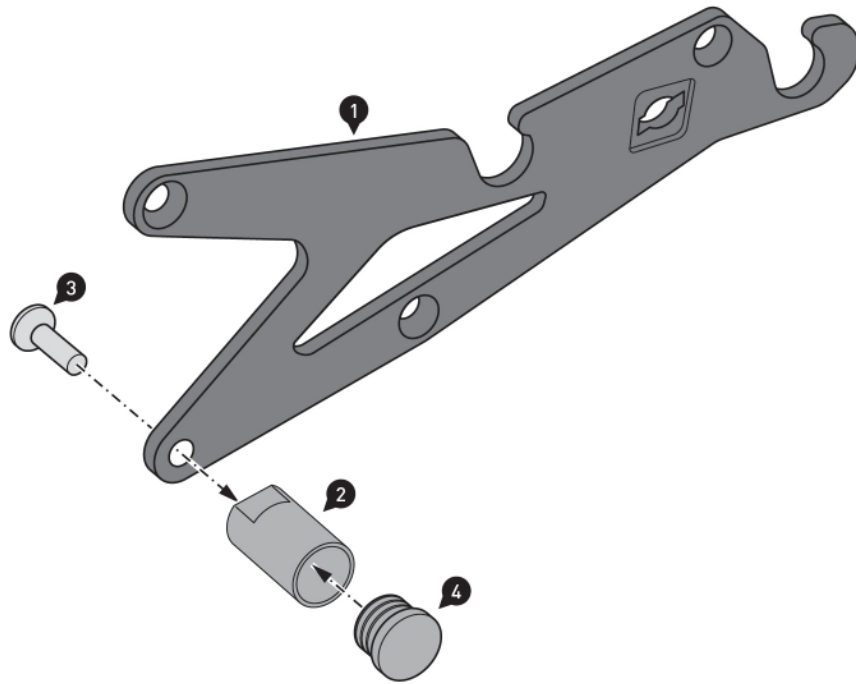
5



M6 x 20; DIN 7991
SC.ST.06.020.02.7991.088

 3/4

1



⚠WARNING: Always wear eye and hand protection!
⚠WARNING: Always use appropriate tools!

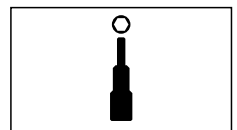
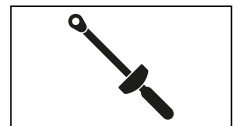
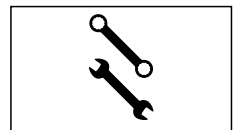
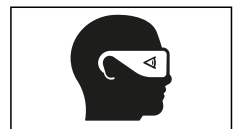
⚠ NOTICE: The adapter plate can only be installed in conjunction with the left SLC carrier from SW-MOTECH.

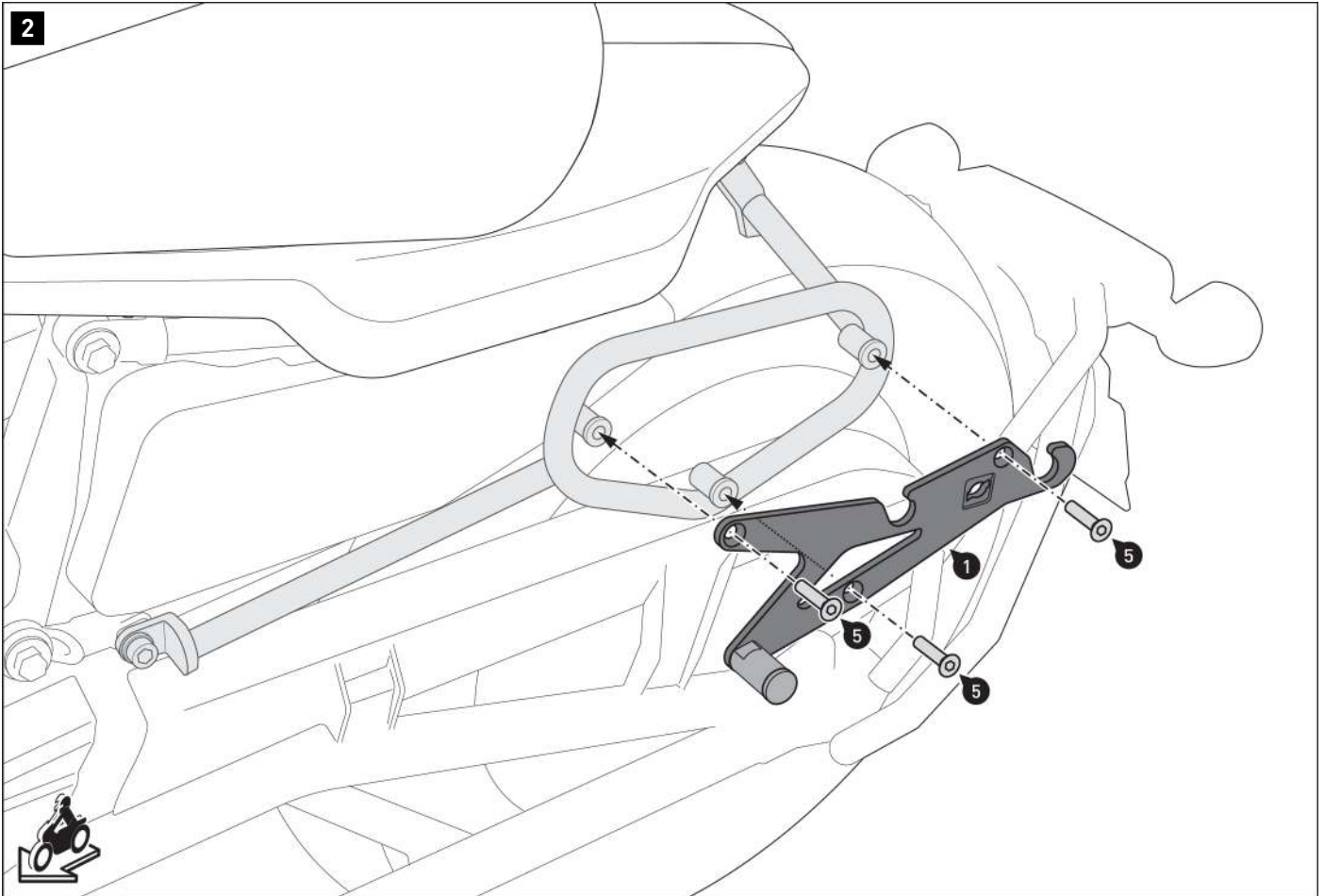
Screw the stop bushing [2] to the adapter plate [1].
⚠WARNING: Use a liquid threadlocker!
 Tighten the screw as specified in the instructions.

Insert the plastic plug [4] into the stop bushing [2].



M 8 Nm



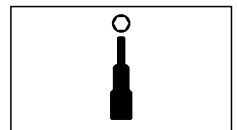
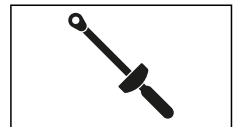


⚠ NOTICE: The vehicle shown and the SLC side carrier serve as an example.

Screw the adapter plate (1) to the left SLC side carrier.

⚠ WARNING: Use a liquid threadlocker!

Tighten the screws as specified in the instructions.



PRODUCT-SPECIFIC NOTES

⚠ NOTE: *Observe the country-specific regulations for the registration/operation of your vehicle or applicable TÜV regulations. After assembly, have parts that are subject to registration entered in the vehicle documents by your test centre.*

Legend Gear Seitentasche LH1 / LH2

Legend Gear side case LH1 / LH2

DEUTSCH - Vielen Dank, dass Sie sich für dieses Premium-Produkt von SW-MOTECH entschieden haben. Bitte besuchen Sie unseren Webshop für weitere Informationen wie Modellzuweisungen und PDF-Anbauanleitung. Erforderliche Dokumente (z. B. ABE) stehen als Download zur Verfügung.

Die Montage und/oder Wartung dieses Produkts erfordert ein gutes technisches Verständnis! Zu Ihrer eigenen Sicherheit empfiehlt SW-MOTECH, die Montage und/oder Wartung durch eine Fachwerkstatt durchführen zu lassen! SW-MOTECH übernimmt keine Haftung für Schäden, die durch eine unsachgemäße Montage und/oder Wartung verursacht wurden!

Beachten Sie alle in der Anbauanleitung angegebenen Hinweise und die für die Montage relevanten Informationen im Fahrzeughandbuch. Nichtbeachtung kann zu Schäden am Fahrzeug bzw. zur Gefährdung des Fahrers führen! Diese Anbauanleitung ist nach unserem derzeitigen Kenntnisstand verfasst worden. Rechtliche Ansprüche auf Richtigkeit bestehen nicht.

Dieses Produkt wurde für Fahrzeuge im Werkzustand entwickelt. Die Kompatibilität mit Original-Zubehörteilen bzw. den Zubehörteilen anderer Hersteller kann nicht gewährleistet werden. Stellen Sie des Weiteren VOR Montage dieses Produkts sicher, dass sich alle beweglichen Teile (z. B. die Kette) im ursprünglichen Wartungszustand befinden. Montiertes Zubehör kann das Fahrverhalten und/oder die Stabilität Ihres Fahrzeugs verändern.

ALLGEMEINE HINWEISE

Beachten Sie die landesspezifischen Vorschriften für Zulassung / Betrieb Ihres Fahrzeugs bzw. anwendbare TÜV-Vorschriften. Lassen Sie eintragungspflichtige Teile nach Montage durch Ihre Prüfstelle in die Fahrzeugpapiere eintragen.


VORBEREITUNG: Lesen Sie die Anbauanleitung aufmerksam und stellen Sie sicher, dass alle Teile der Stückliste vorhanden sind. Achten Sie darauf, dass Ihr Fahrzeug sicher steht und nicht umfallen kann. Schalten Sie den Motor ab und ziehen Sie den Zündschlüssel. Lassen Sie ggf. den Motor / Auspuff abkühlen. Klemmen Sie bei Arbeiten an der Elektrik die Fahrzeugbatterie ab. Verwenden Sie geeignetes Werkzeug. Lassen Sie sich von einer zweiten Person helfen.



FUNKTIONSKONTROLLE: Da es sich um ein universelles Produkt handelt, stellen Sie unbedingt VOR der ersten Nutzung sicher, dass sich das Produkt ohne Probleme und sachgerecht an Ihrem Fahrzeugtyp befestigen und verwenden lässt. Achten Sie nach der Befestigung auf die uneingeschränkte Freigängigkeit und einwandfreie Funktion sämtlicher Fahrzeugteile. Leuchtmittel wie Rücklicht und Blinker dürfen nicht in ihrer Funktion eingeschränkt werden. Kabel, Züge und Schläuche dürfen nicht scheuern und/oder geklemmt werden. Führen Sie vor Fahrtbeginn eine umfassende Funktionskontrolle durch.

PRODUKTSPEZIFISCHE HINWEISE

ACHTUNG: Das Fahr-/Bremsverhalten des Motorrads verändert sich nach Befestigung dieses Produkts merklich!

ACHTUNG: Überprüfen Sie vor Fahrtbeginn und bei jeder Rast (alle 200 km) den ordnungsgemäßen Sitz des Produkts!

Maximale Zuladung	Höchstgeschwindigkeit
 LH1: 5 KG (11 lbs)	 130 km/h (80 mph)

Maximale Zuladung	Höchstgeschwindigkeit
 LH2: 10 KG (22 lbs)	 130 km/h (80 mph)

ACHTUNG: Die maximale Zuladung darf nicht überschritten werden! Es gilt die vom Fahrzeughersteller genannte maximale Zuladung des Fahrzeugs!

ACHTUNG 
NICHT FÜR DEN OFFROAD-EINSATZ GEEIGNET!

ENGLISH - Thank you for choosing this premium product from SW-MOTECH. Please visit our webshop for additional information, such as application charts and PDF mounting instructions. Any other documents that may be required (e.g. ABE certifications), are also available for download at our webshop.

Installation and/or maintenance of this product require good technical understanding! For your own safety SW-MOTECH recommends having installation and/or servicing carried out by a specialist workshop! SW-MOTECH assumes no liability for damage caused by improper installation and/or maintenance work!

Carefully follow all the directions given in the mounting instructions and pay attention to all relevant information in the vehicle manual during assembly. Nonconformance can lead to vehicle damage or even endanger the driver! These mounting instructions are written based on our current state of knowledge. Legal requirements for accuracy do not exist.

This product was developed for vehicles in their factory setting. Compatibility with original accessory parts or other manufacturers' accessory parts is not guaranteed. Furthermore, BEFORE installing this product, make sure that all moving parts (e.g. the chain) are in the original state of maintenance. Installed accessories can change the driving behaviour and/or stability of your vehicle.

GENERAL INFORMATION

Observe the country-specific regulations concerning vehicle registration / operation as well as TÜV regulations if applicable. If required, register installed parts in the vehicle documents through an appropriate inspection authority.

PREPARATION: Read the mounting instructions carefully and make sure that all items of the parts list are included. Make sure that your vehicle is parked safely and cannot fall over. Turn off the engine and remove the ignition key. Let the motor / exhaust cool off if necessary. Disconnect the vehicle battery when working on the electrical system. Use appropriate tools. Have another person to help you.

FUNCTION CHECK: This is a universal product. For this reason make sure BEFORE the first use, that the product can be fixed properly and used without problems with your vehicle type. After fixation also make sure that no moving parts are obstructed and the function of the vehicle is not hindered in any way. Lamps as taillight and turn signals must not be limited in their function. Cables and hoses must not rub and/or be pinched. Before starting to ride, perform a comprehensive check of all functions.

PRODUCT SPECIFIC INFORMATION

ATTENTION: Riding with this product may affect the motorcycles driving and braking performance!

ATTENTION: Before riding and at each stop (every 200 km) check proper fixation of the product!

Maximum Load	Maximum Speed
 LH1: 5 KG (11 lbs)	 130 km/h (80 mph)

Maximum Load	Maximum Speed
 LH2: 10 KG (22 lbs)	 130 km/h (80 mph)

ATTENTION: The maximum load must not be exceeded! The maximum vehicle load specified by the manufacturer must not be exceeded!

ATTENTION 
NOT FOR OFFROAD-USE!

SW-MOTECH GmbH & Co. KG

Ernteweg 7-10 · 35282 Rauschenberg · Germany
 Tel. / phone + 49 (0)6425 / 8168 - 050
 Fax / fax + 49 (0)6425 / 8168 - 10
 info@sw-motech.com · www.sw-motech.com





1a 1x Seitentasche LH1 links
Side Case LH1 left
BC.HTA.00.682.11100



2a 2x Wasserdichte Innentasche
Waterproof Inner Bag
BC.ZUB.00.107.30000



1b 1x Seitentasche LH1 rechts
Side Case LH1 right
BC.HTA.00.682.11000



2b 2x Wasserdichte Innentasche
Waterproof Inner Bag
BC.ZUB.00.107.30000



1c 1x Seitentasche LH2
Side Case LH2
BC.HTA.00.682.10000



2c 2x Wasserdichte Innentasche
Waterproof Inner Bag
BC.ZUB.00.106.30000



3 1x Schnellverschluss
Quick Turn Fastener
HTA.00.682.500.01



4 1x Reflektor
Reflector
HTA.61.863.006

PFLEGE

Reinigen Sie das Produkt in regelmäßigen Abständen bzw. nach jeder Fahrt, da Staub und Schmutz einen verschleißenden Effekt haben und dauerhafte Flecken so verhindert werden können. Reinigen Sie das Produkt unbedingt nach Winterfahrten, um Schäden durch Salz zu vermeiden.

Entfernen Sie zunächst Staub und Verkrustungen mit einer weichen Textildürste. Mit einem weichen Tuch und warmer Seifenlauge können hartnäckige Ablagerungen entfernt werden. Verwenden Sie KEINE scharfen Reinigungsmittel, raue Putzutensilien oder einen Hochdruckreiniger! Spülen Sie anschließend mit klarem Wasser nach.

Lassen Sie das Produkt vor Wiederverwendung mindesten 24 Stunden an der Luft trocken (nicht in direkter Sonneneinstrahlung).

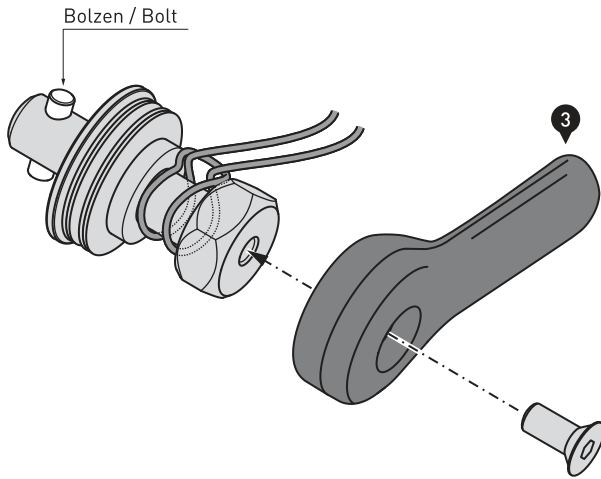
CARE

Clean the product periodically or after each trip, as dust and dirt have a wear-effect and permanent stains can be prevented. Clean the product after riding in salty conditions, to avoid damage from salt.

First remove dust and encrustations with a soft dry brush. Remove stubborn deposits with a soft cloth and warm soapy water. Do NOT use strong cleaning agents, rough cleaning tools or high pressure washer! Then rinse with clear water.

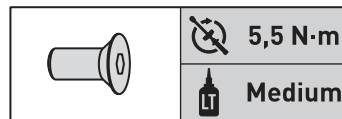
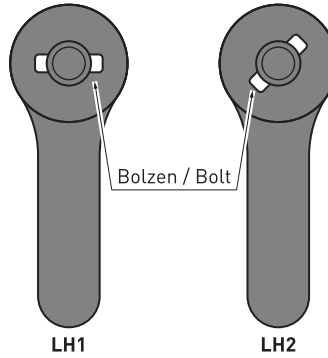
Before re-use dry the product for at least 24 hours in the air (not in direct sunlight).

1/



rechts / right

links / left



Verschrauben Sie die Komponenten miteinander, wie in der Zeichnung gezeigt. Beachten Sie dabei die Seitenspezifische Ausrichtung des Bolzens, wie in der schematischen Zeichnung verdeutlicht.

ACHTUNG: Verwenden Sie flüssige Schraubensicherung! Ziehen Sie die Schraube wie vorgegeben an.

Verschlaufen Sie die Kordel wie gezeigt.

Assemble the components as shown in the drawing. Pay attention to the side-specific alignment of the bolt, as emphasized in the schematic drawing.

ATTENTION: Use liquid thread locker! Tighten the screw as specified.

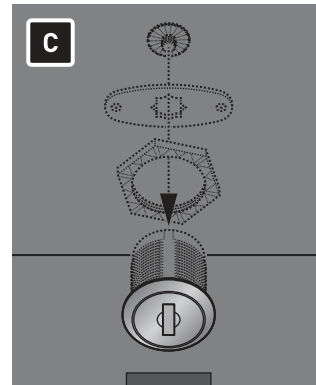
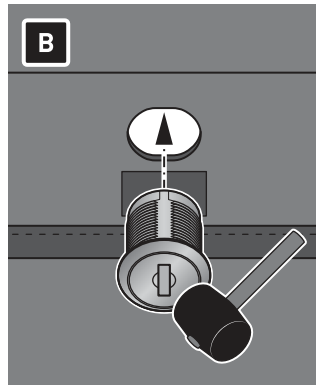
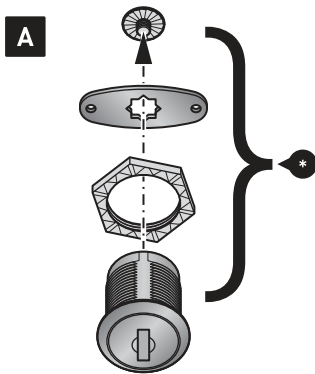
Loop the string as shown.

HINWEIS: Der Schlosssatz BC.LOC.00.682.1000 (*) ist separat erhältlich.*

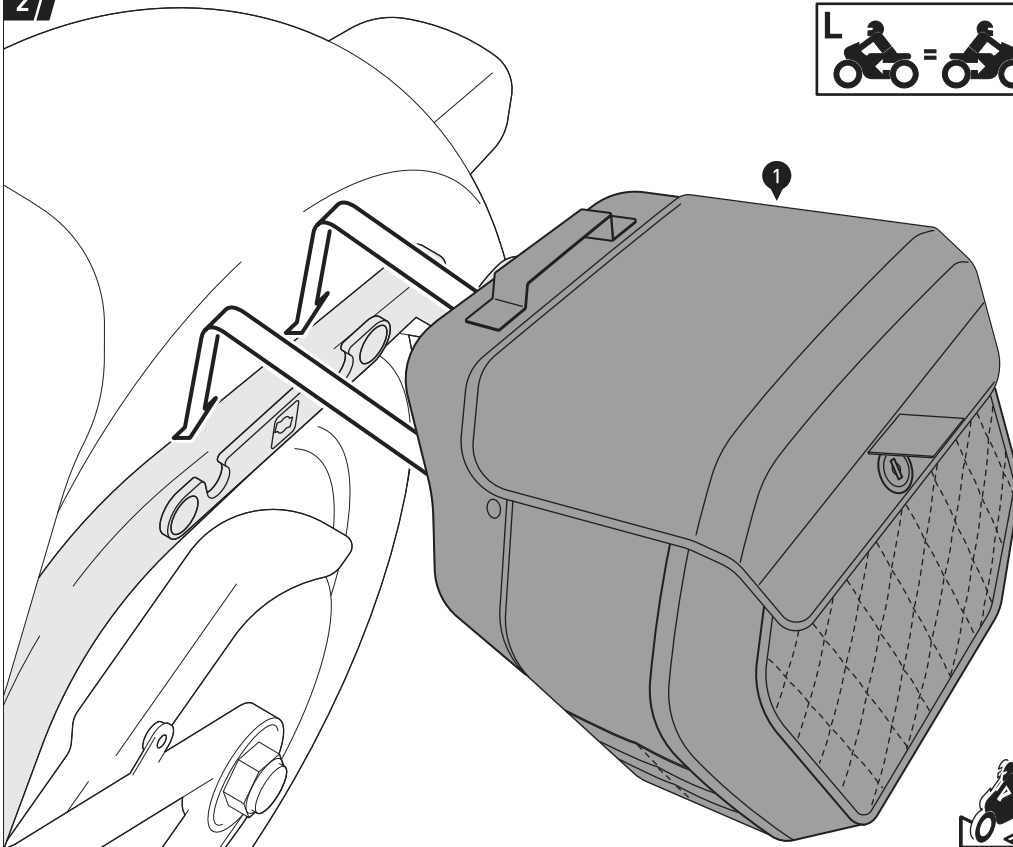
Lösen Sie die Komponenten und verschrauben Sie diese mit dem Taschendeckel wie gezeigt.

NOTE: The BC.LOC.00.682.1000 (*) is sold separately.*

Disassemble the components and attach them to the bags lid as shown.



2/



Hängen Sie die Tasche (1) in die am Fahrzeug verbaute Aufnahme ein.

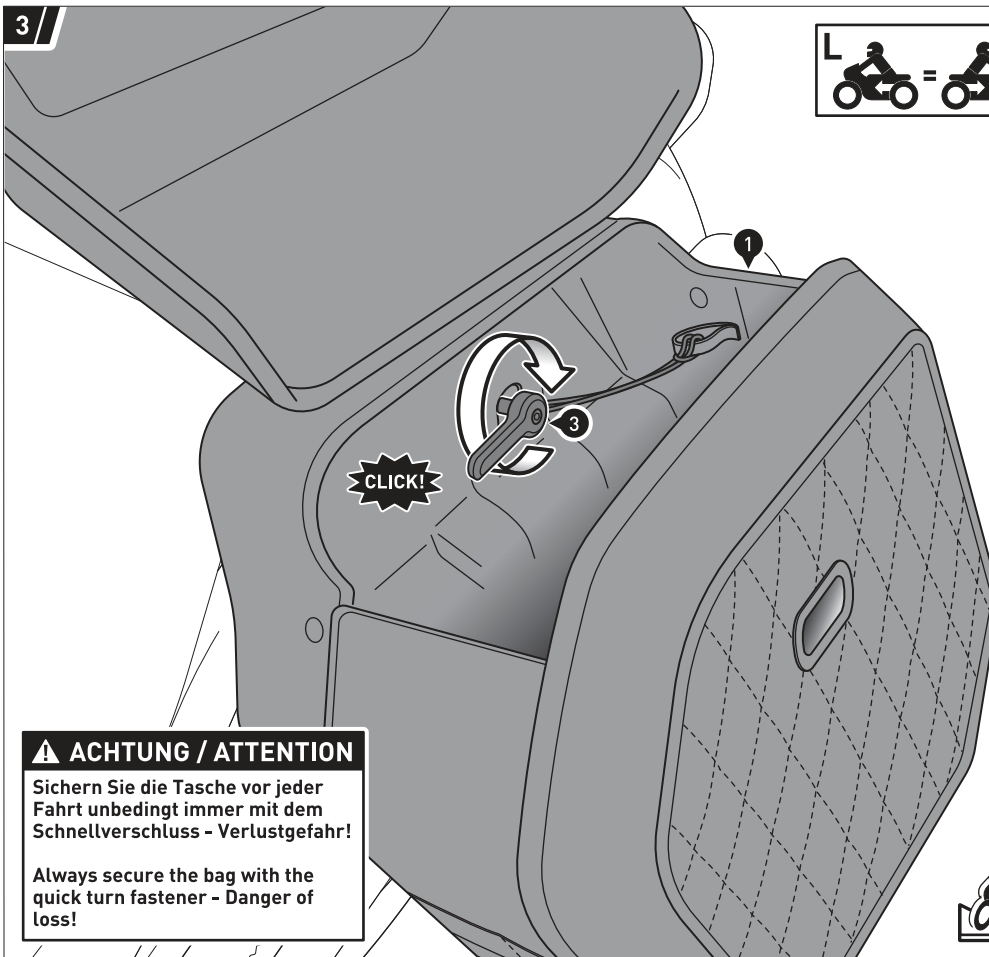
Achten Sie darauf, dass beide Halteelemente vollständig in die Aufnahmekonturen des Anbaulechs eingehakt sind.

Hang the bag (1) into the sockets of the mounting bracket attached to your vehicle.

Pay attention that both retaining elements are completely hooked into the socket contours of the mounting bracket.

Fahrzeug dient als Beispiel. / Example vehicle shown.

3 /



Sichern Sie die Tasche (1) mit dem Schnellverschluss (3), indem Sie den Schnellverschluss-Griff in die Öffnung einsetzen und im Uhrzeigersinn drehen. Achten Sie dabei auf das deutlich hörbare Einrastgeräusch.

Die Position beim Einsetzen des Schnellverschluss-Griffs variiert je nach Fahrzeugseite.

Befestigen Sie die Kordel des Schnellverschlusses an der Schlaufe auf der Innenseite der Tasche.

Secure the bag (1) with the quick turn fastener (3), by inserting it into the opening and turning it clockwise. Pay attention to the audible clicking sound.

The inserting position of the quick turn fastener differs depending on the vehicles' side.

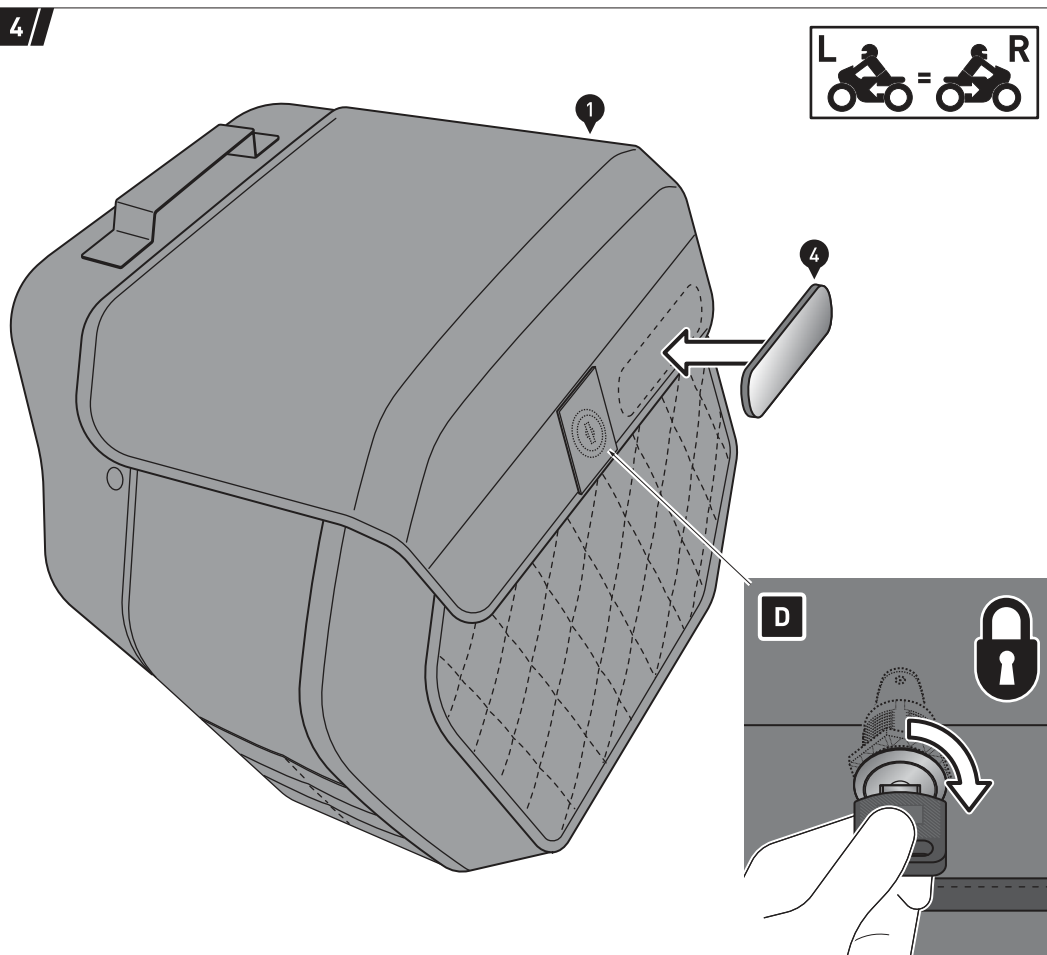
Attach the string of the quick turn fastener to the loop on the inside of the bag.

⚠ ACHTUNG / ATTENTION

Sichern Sie die Tasche vor jeder Fahrt unbedingt immer mit dem Schnellverschluss - Verlustgefahr!

Always secure the bag with the quick turn fastener - Danger of loss!

4 /



ACHTUNG: Schließen Sie die Tasche vor jeder Fahrt ab.

Reinigen Sie die Vorderseite des Deckels gründlich von Fett- und Schmutzrückständen.

Bringen Sie den Reflektor (4) am Deckel an, wie in der Zeichnung gezeigt.

ATTENTION: Before each ride, lock the lid of the bag.

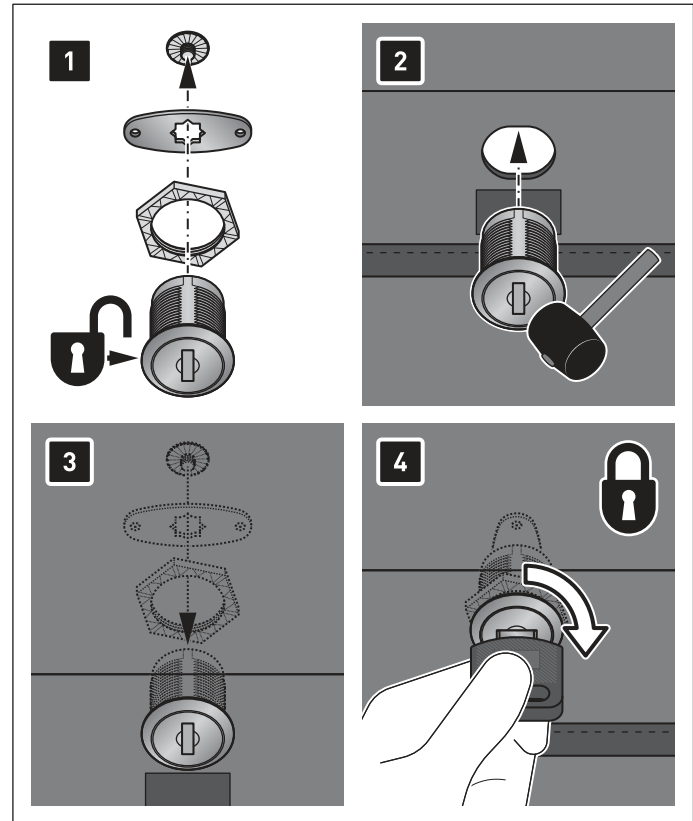
Thoroughly clean the front of the lid from grease and dirt.

Attach the reflector (4) to the lid as shown in the drawing.

ANBAUANLEITUNG / MOUNTING INSTRUCTIONS

Art.-Nr. / Item No.: **BC.LOC.00.682.10000/S** · Revision: **00** · **01 - 2019**

Legend Gear Schloss-Satz Legend Gear lock set



Nr. No.	Art.-Nr. / Bezeichnung Item No. / Description	Anzahl Quantity
(1)		2 / 2
(2)		2 / 2

